

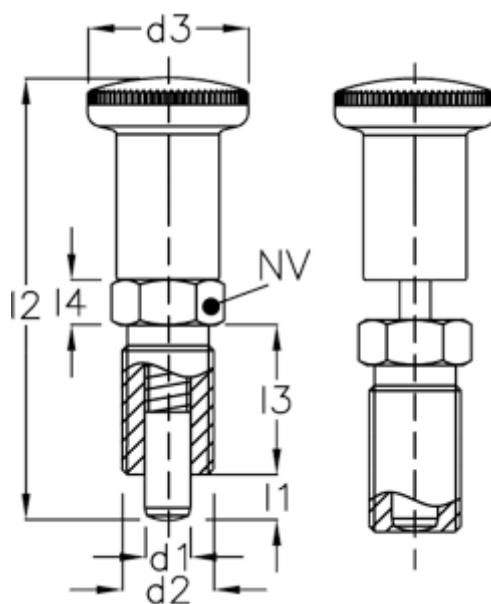
# Data Sheet



Article number: 201175036

Description: E+G  
Indexing plunger GN 817.2-10-12-B

## Measures



d1 = 10  
d2 = M16x1,5  
d3 = 28  
K = 36  
l1 = 12  
l2 = 70  
l3 = 26  
l4 = 8

NV = 17  
Spring pressure N bottom = 38.0  
Spring pressure N top = 9.5